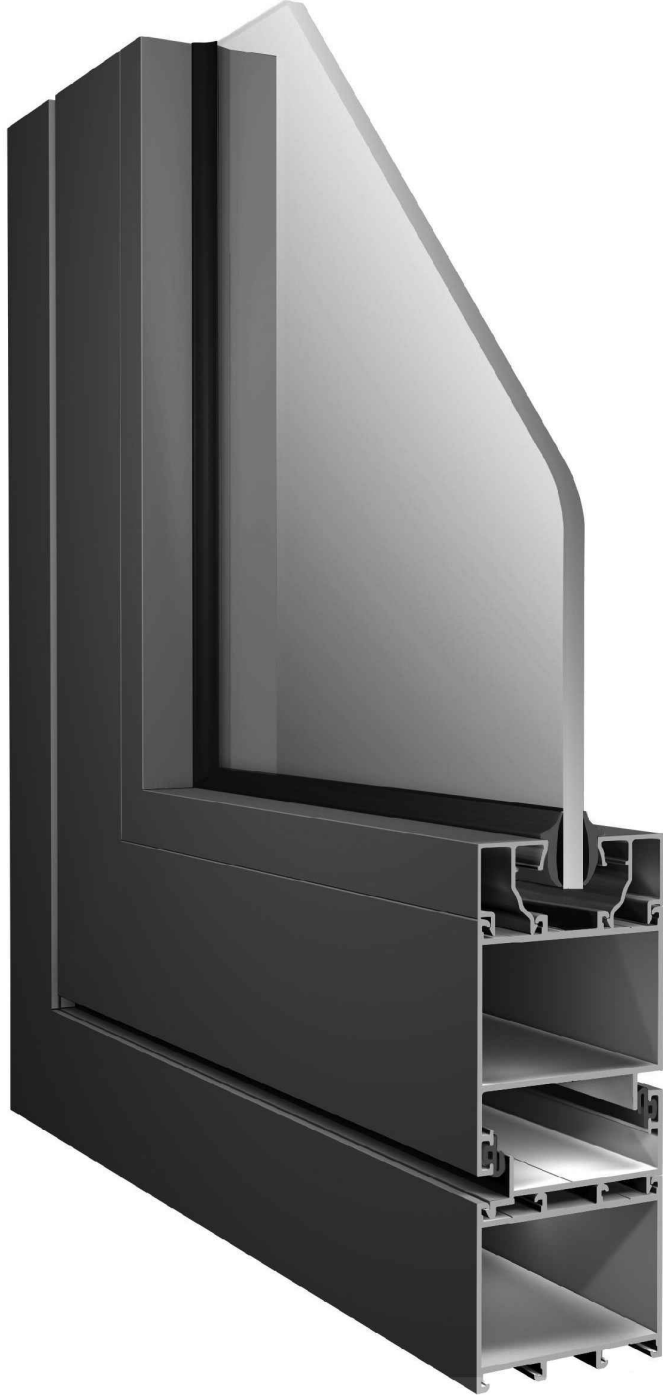


MİMARİ KATALOG ARCHITECTURAL CATALOGUE

Alüminyum Kapı Pencere ve Giydirme Cephe Sistemleri
Aluminium Window Doors and Facade Systems

RESCARA



RW60



TEKNİK ÖZELLİKLER / TECHNICAL PROPERTIES

| | |
|--|------------|
| KASA DERİNLİĞİ / FRAME DEPTH | 60 mm |
| KANAT DERİNLİĞİ / VENT DEPTH | 60 mm |
| PROFİL ET KALINLIĞI / PROFILE WALL THICKNESS | 1,6/1,4 mm |
| MAX. CAM KALINLIĞI / MAX. GLASS THICKNESS | 36 mm |

UYGULAMA SEÇENEKLERİ / APPLICATION OPTIONS

| | PENCERE WINDOW | KAPI DOOR |
|---|-------------------|--------------|
| İÇE AÇILIR HEMYÜZ KAPI / INWARD OPENING COPLANAR DOOR | | • |
| DIŞA AÇILIR HEMYÜZ KAPI / OUTWARD OPENING COPLANAR DOOR | | • |
| ÇARPMA KAPI / SWINGING DOOR | | • |

MİMARİ KATALOG

ARCHITECTURAL CATALOGUE

Alüminyum Kapı Pencere ve Giydirme Cephe Sistemleri
Aluminium Window Doors and Facade Systems



Rescara Sistem Detayları
Rescara System Details

RW60

PROFİLLER

PROFILES

01

02

03

04

05

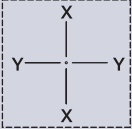
06

07

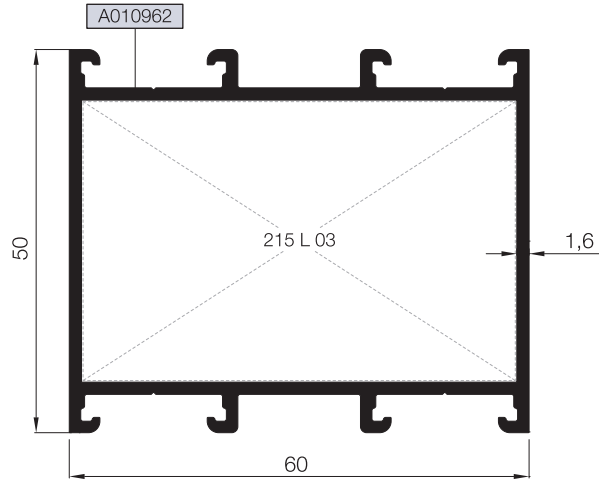
08

09

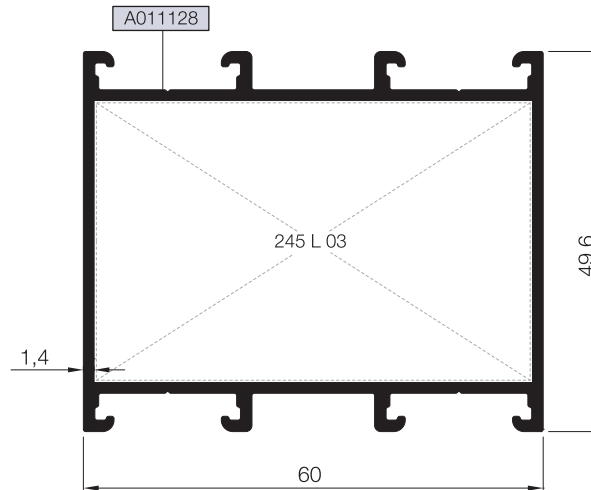
10



| KOD / CODE | AĞIRLIK (kg/m) / WEIGHT | Jxx cm ⁴ | Jyy cm ⁴ | L m | |
|------------|-------------------------|---------------------|---------------------|-----|---|
| Rw60 F 02 | 1,102 | 20,215 | 13,491 | 6 |  |
| Rw60 F 06 | 0,997 | 18,287 | 12,290 | 6 | |
| | | | | | |

Rw60 F 02



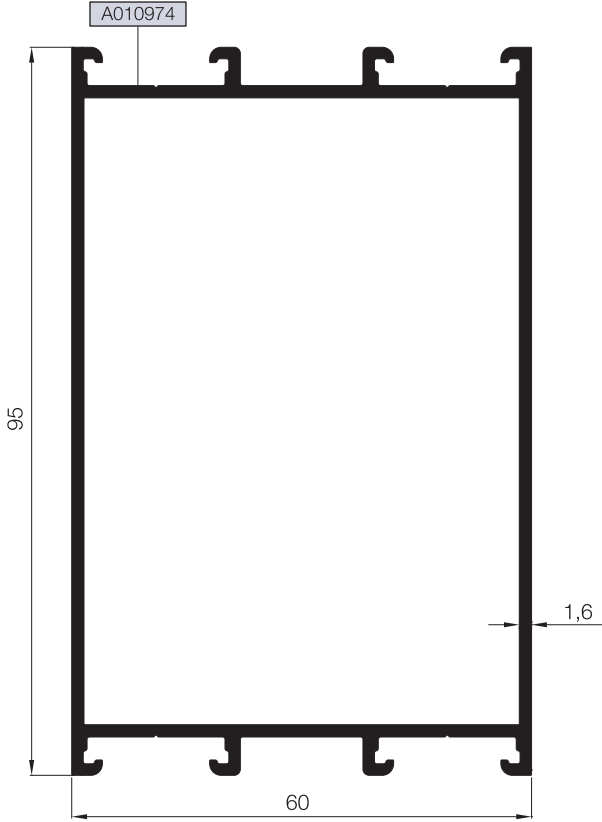
Rw60 F 06



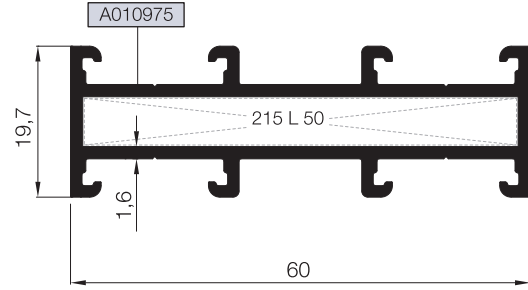
| Nr | |  L m | KESİM ÖLÇÜSÜ CUTTING SIZE |  AKS. KODU ACS. CODE |
|-----------|---------|---|------------------------------|--|
| Rw60 F 02 | A010962 | 25 L 03 (A002021) | 56,5 mm | 215 L 03 |
| Rw60 F 06 | A011128 | 25 L 03 (A002021) | 56,8 mm | 245 L 03 |

| KOD / CODE | AĞIRLIK (kg/m) / WEIGHT | Jxx cm ⁴ | Jyy cm ⁴ | L m | |
|------------|-------------------------|---------------------|---------------------|-----|--|
| Rw60 F 03 | 1,492 | 32,496 | 67,929 | 6 | |
| Rw60 F 04 | 0,839 | 11,946 | 0,923 | 6 | |
| Rw60 F 05 | 1,912 | 128,959 | 27,984 | 6 | |

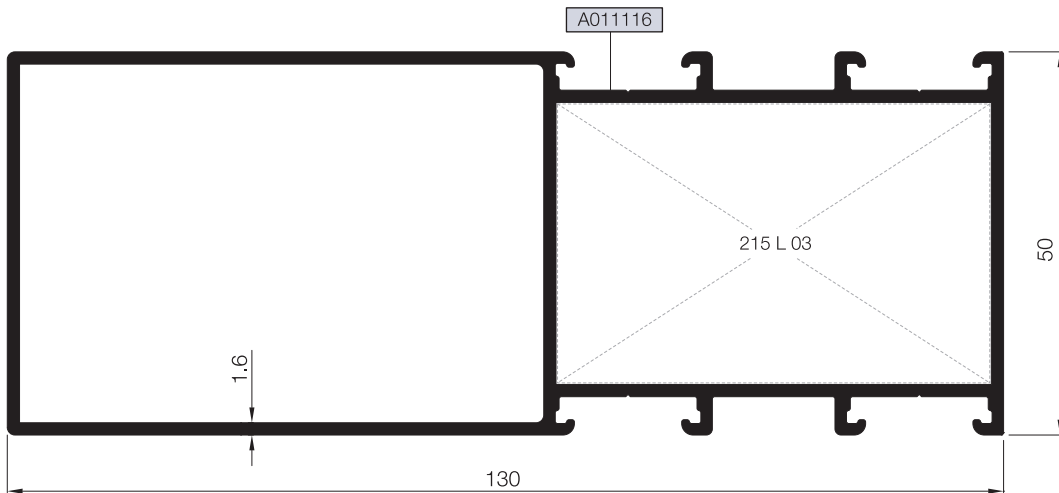
Rw60 F 03



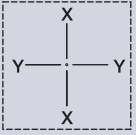
Rw60 F 04



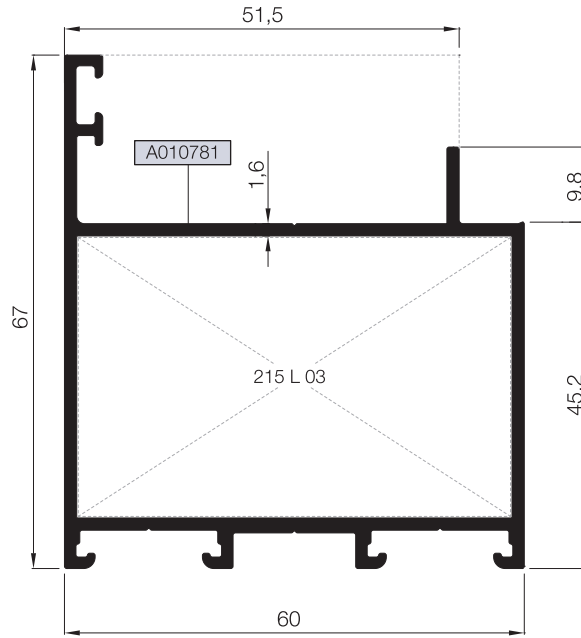
Rw60 F 05



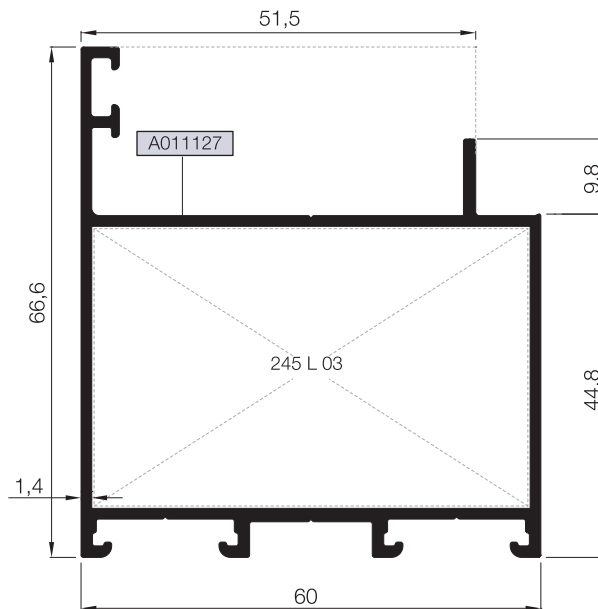
| Nr | | L m | KESİM ÖLÇÜSÜ CUTTING SIZE | AKS. KODU ACS. CODE |
|-----------|---------|-------------------|------------------------------|------------------------|
| Rw60 F 04 | A010975 | 25 L 50 (A010838) | 56,5 mm | 215 L 50 |
| Rw60 F 05 | A011116 | 25 L 03 (A002021) | 56,5 mm | 215 L 03 |



| KOD / CODE | AĞIRLIK (kg/m) / WEIGHT | Jxx cm4 | Jyy cm4 | L m | |
|------------|-------------------------|---------|---------|-----|---|
| Rw60 V 01 | 1,162 | 22,715 | 18,319 | 6 |  |
| Rw60 V 03 | 1,047 | 20,198 | 15,788 | 6 | |
| | | | | | |

Rw60 V 01



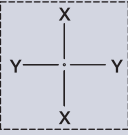
Rw60 V 03



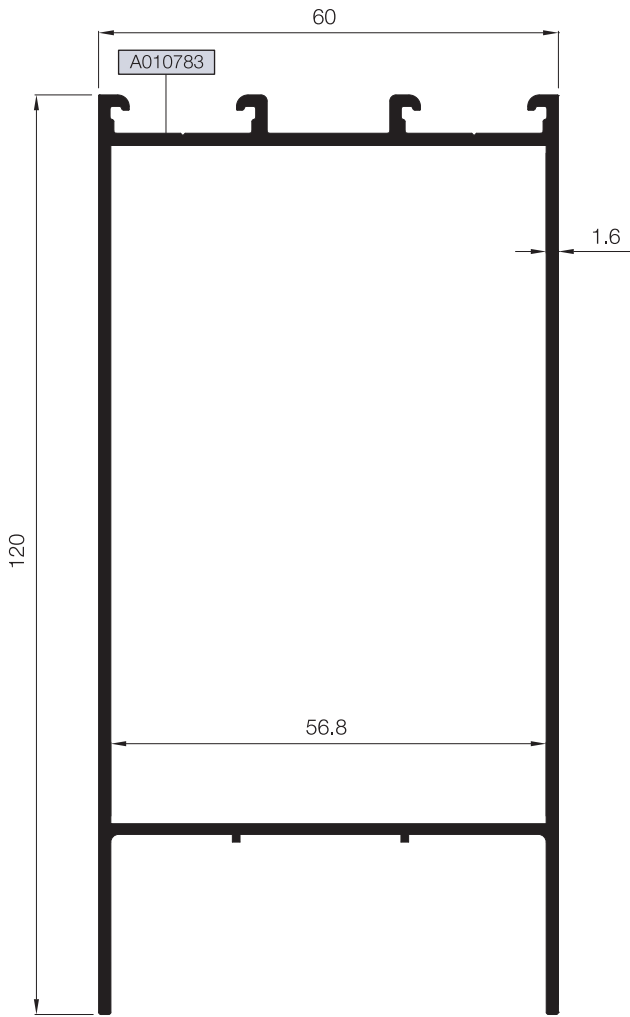
| Nr | |  L m | KESİM ÖLÇÜSÜ CUTTING SIZE |  AKS. KODU ACS. CODE |
|-----------|---------|---|------------------------------|--|
| Rw60 V 01 | A010781 | 25 L 03 (A002021) | 56,5 mm | 215 L 03 |
| Rw60 V 03 | A011127 | 25 L 03 (A002021) | 56,8 mm | 245 L 03 |

ETEK PROFİLLERİ
KICK PLATE PROFILES

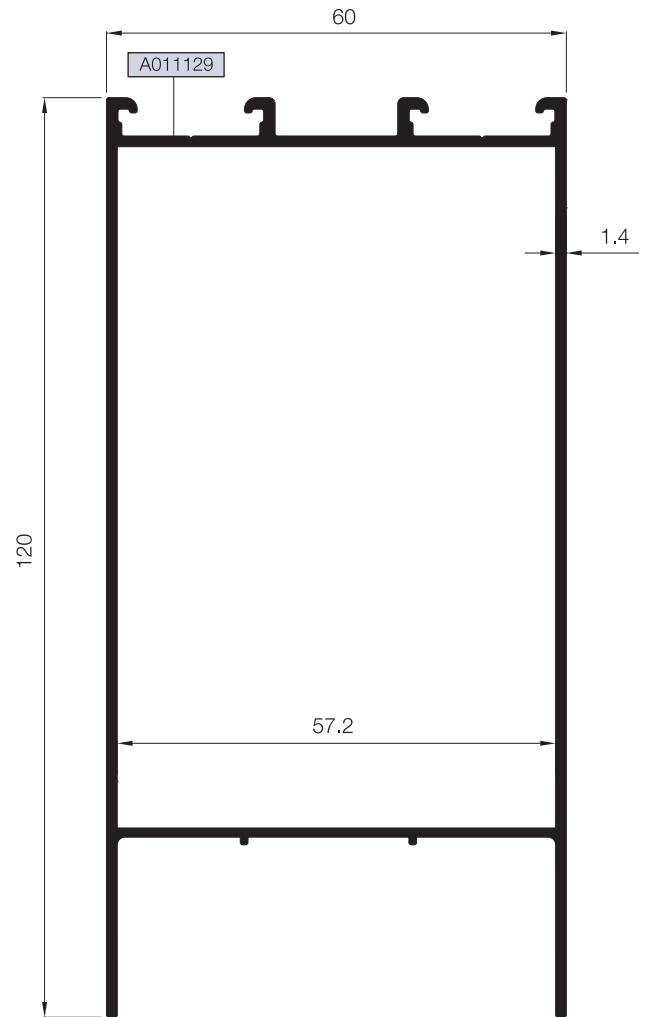
RW60

| KOD / CODE | AĞIRLIK (kg/m) / WEIGHT | Jxx cm ⁴ | Jyy cm ⁴ | L m | |
|------------|-------------------------|---------------------|---------------------|-----|---|
| Rw60 K 01 | 1,597 | 38,220 | 91,648 | 6 |  |
| Rw60 K 02 | 1,414 | 33,947 | 81,855 | 6 | |
| | | | | | |

Rw60 K 01



Rw60 K 02



01

02

03

04

05

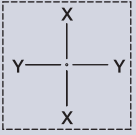
06

07

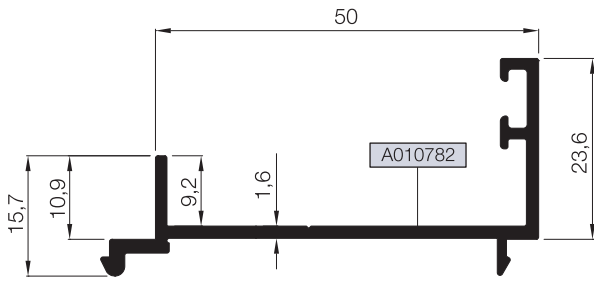
08

09

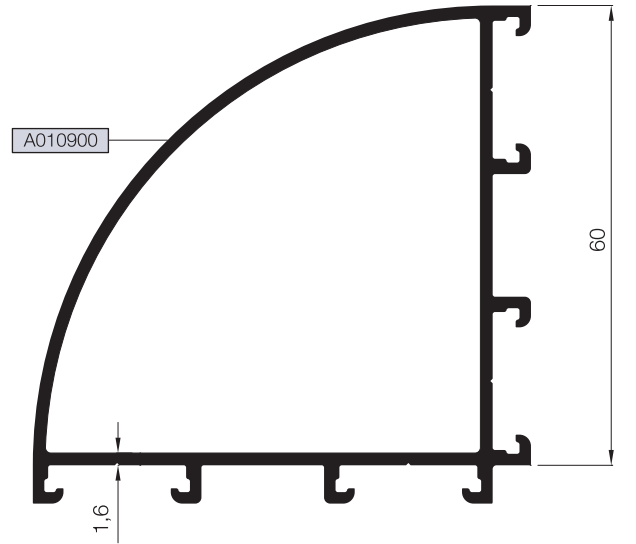
10

| KOD / CODE | AĞIRLIK (kg/m) / WEIGHT | Jxx cm4 | Jyy cm4 | L m | |
|------------|-------------------------|---------|---------|-----|---|
| Rw60 A 01 | 0,431 | ---- | ---- | 6 |  |
| Rw60 A 04 | 1,166 | ---- | ---- | 6 | |
| Rw60 A 05 | 0,706 | ---- | ---- | 6 | |
| Rw60 A 06 | 0,587 | ---- | ---- | 6 | |
| T55 A 13 | 0,220 | ---- | ---- | 6 | |

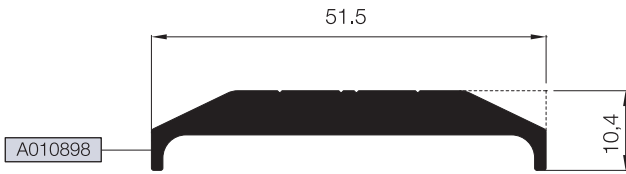
Rw60 A 01



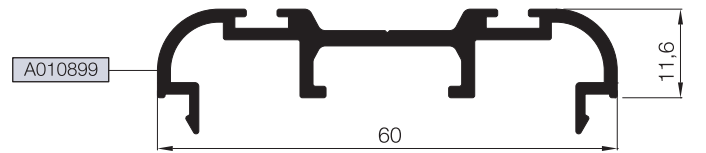
Rw60 A 04



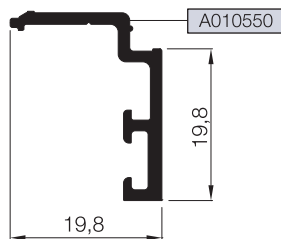
Rw60 A 05



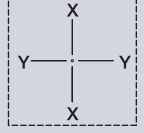
Rw60 A 06



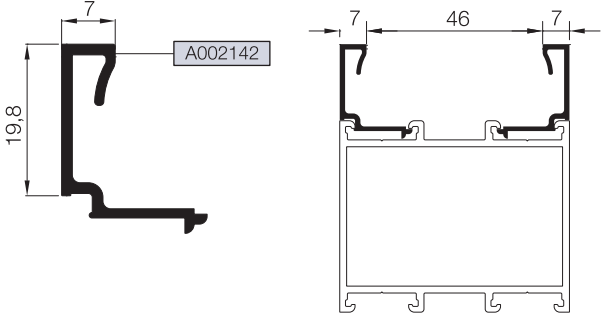
T55 A 13



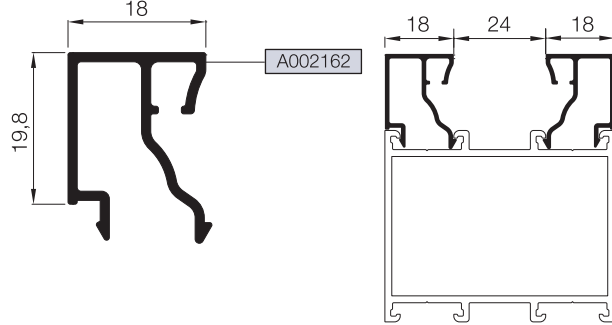
| KOD / CODE | AĞIRLIK (kg/m) / WEIGHT | L m | KOD / CODE | AĞIRLIK (kg/m) / WEIGHT | L m |
|------------|-------------------------|-----|------------|-------------------------|-----|
| 25 G 21 | 0,196 | 6 | 25 G 13 | 0,278 | 6 |
| 25 G 11 | 0,224 | 6 | 25 G 14 | 0,280 | 6 |
| 25 G 10 | 0,225 | 6 | 25 G 15 | 0,282 | 6 |
| 25 G 09 | 0,229 | 6 | 25 G 16 | 0,285 | 6 |
| 25 G 12 | 0,270 | 6 | 25 G 17 | 0,289 | 6 |



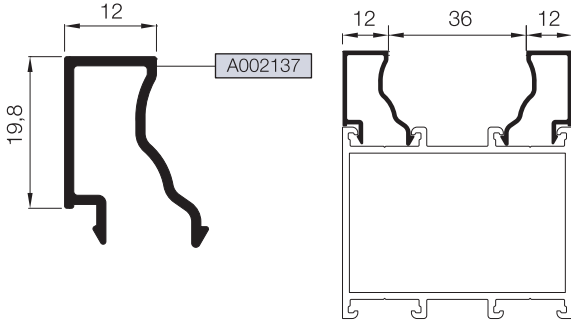
25 G 21



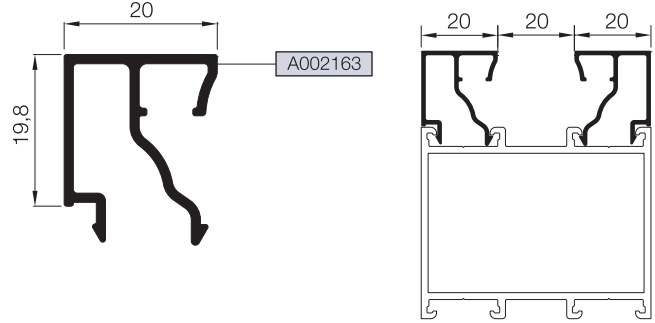
25 G 12



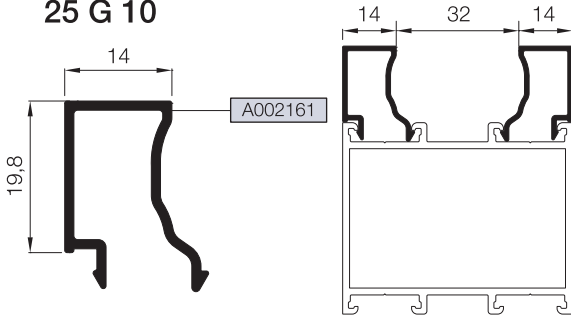
25 G 11



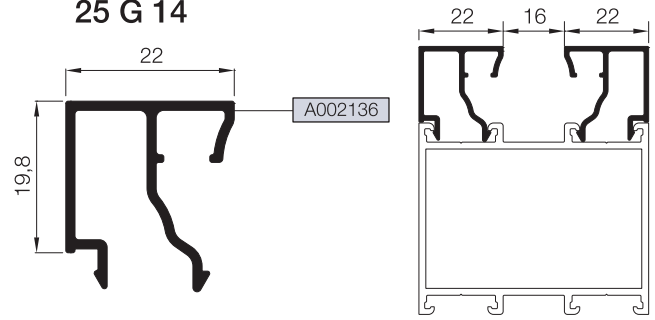
25 G 13



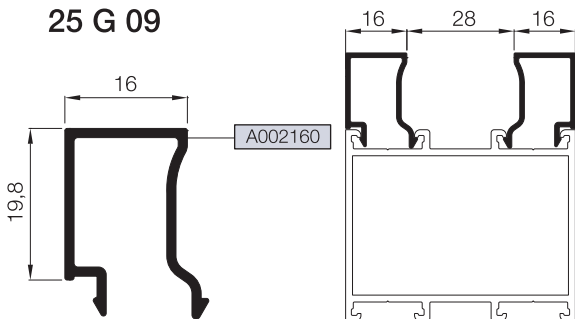
25 G 10



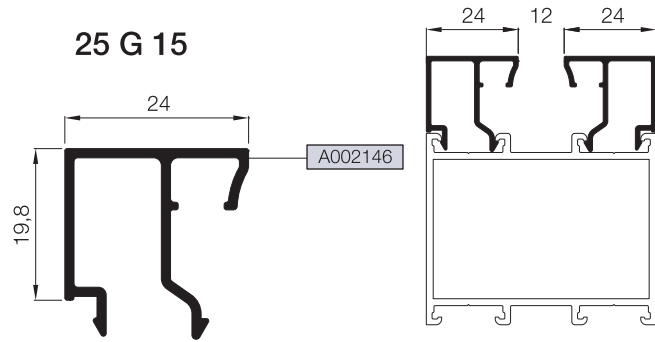
25 G 14



25 G 09



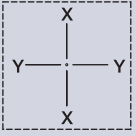
25 G 15

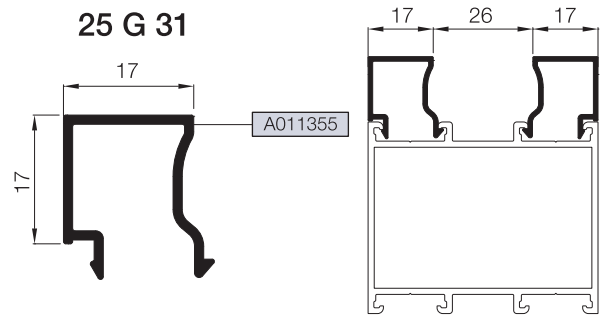
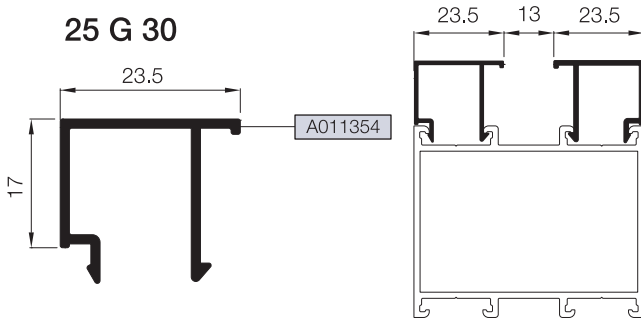


CAM ÇITA PROFİLLERİ

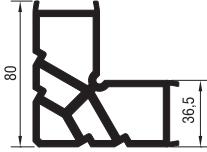
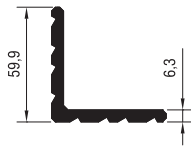
GLAZING BEAD PROFILES

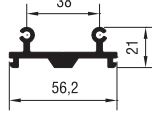
RW60


| KOD / CODE | AĞIRLIK (kg/m) / WEIGHT | Jxx cm4 | Jyy cm4 | L m | |
|------------|-------------------------|---------|---------|-----|---|
| 25 G 30 | 0,229 | 6 | | |  |
| 25 G 31 | 0,209 | 6 | | | |
| | | | | | |




TAKOZLAR (CLEATS)

| | | | | |
|-----------------------------|---|---|--|--|
| PROFİL KODU (PROFILE CODE) | 25 L 03 | 25 L 50 | | |
| FABRİKA KODU (FACTORY CODE) | A002021 | A010838 | | |
| AĞIRLIK (WEIGHT) | 4,315 kg/m | 1,748 kg/m | | |
| ÇİZİM (DRAWING) |  |  | | |

| | | | | |
|-----------------------------|---|--|--|--|
| PROFİL KODU (PROFILE CODE) | Rw60 A 08 | | | |
| FABRİKA KODU (FACTORY CODE) | A010976 | | | |
| AĞIRLIK (WEIGHT) | 0,967 kg/m | | | |
| ÇİZİM (DRAWING) |  | | | |

| KÖŞE TAKOZLARI (CORNER CLEATS) | | | | |
|--------------------------------|---|-------------------|------------------------------|------------------------|
| Nr |  | L m | KESİM ÖLÇÜSÜ CUTTING SIZE | AKS. KODU ACS. CODE |
| Rw60 F 02 | A010962 | 25 L 03 (A002021) | 56,5 mm | 215 L 03 |
| Rw60 F 04 | A010975 | 25 L 50 (A010838) | 56,5 mm | 215 L 50 |
| Rw60 F 05 | A011116 | 25 L 03 (A002021) | 56,5 mm | 215 L 03 |
| Rw60 F 06 | A011128 | 25 L 03 (A002021) | 56,8 mm | 245 L 03 |
| Rw60 V 01 | A010781 | 25 L 03 (A002021) | 56,5 mm | 215 L 03 |
| Rw60 V 03 | A011127 | 25 L 03 (A002021) | 56,8 mm | 245 L 03 |

| ORTA KAYIT BAĞLANTI (MULLION CONNECTION PIECE) | | | |
|--|---|---------------------|------------------------------|
| Nr |  | L m | KESİM ÖLÇÜSÜ CUTTING SIZE |
| Rw60 F 02 | A010962 | Rw60 A 08 (A010976) | 36,5 mm |
| Rw60 F 03 | A010974 | Rw60 A 08 (A010976) | 81,5 mm |
| Rw60 F 04 | A010975 | Rw60 A 08 (A010976) | 6,2 mm |
| Rw60 F 05 | A011116 | Rw60 A 08 (A010976) | 36,5 mm |
| Rw60 F 06 | A011128 | Rw60 A 08 (A010976) | 36,5 mm |
| Rw60 K 01 | A010783 | Rw60 A 08 (A010976) | 88,2 mm |
| Rw60 K 02 | A011129 | Rw60 A 08 (A010976) | 88,6 mm |

STOKTA BULUNAN SİSTEM PROFİLLERİNİN LİSTESİ (LIST OF SYSTEM PROFILES IN STOCK)

| Nr | MIN. SİPARİŞ MİKTARI MIN. ORDER QUANTITY |
|-----------|---|
| RW60 F 02 | 75 kg |
| RW60 F 03 | 75 kg |
| RW60 F 04 | 75 kg |
| RW60 F 06 | 75 kg |
| RW60 V 01 | 75 kg |
| RW60 V 03 | 75 kg |
| RW60 K 01 | 75 kg |
| RW60 K 02 | 75 kg |
| RW60 A 01 | 75 kg |
| RW60 A 04 | 75 kg |
| RW60 A 05 | 75 kg |
| RW60 A 06 | 75 kg |
| RW60 A 08 | 75 kg |

* STOKTA BULUNMAYAN TÜM PROFİLLER İÇİN MİNİMUM SİPARİŞ MİKTARI 300*KG'DİR.
MINIMUM ORDER QUANTITY FOR ALL THE PROFILES THAT ARE NOT IN STOCK IS 300 KG.

MİMARİ KATALOG

ARCHITECTURAL CATALOGUE

Alüminyum Kapı Pencere ve Giydirme Cephe Sistemleri
Aluminium Window Doors and Facade Systems



Rescara Sistem Detayları
Rescara System Details

RW60

DETAYLAR

DETAILS

01

02

03

04

05

06

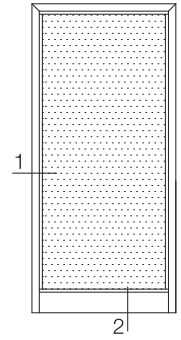
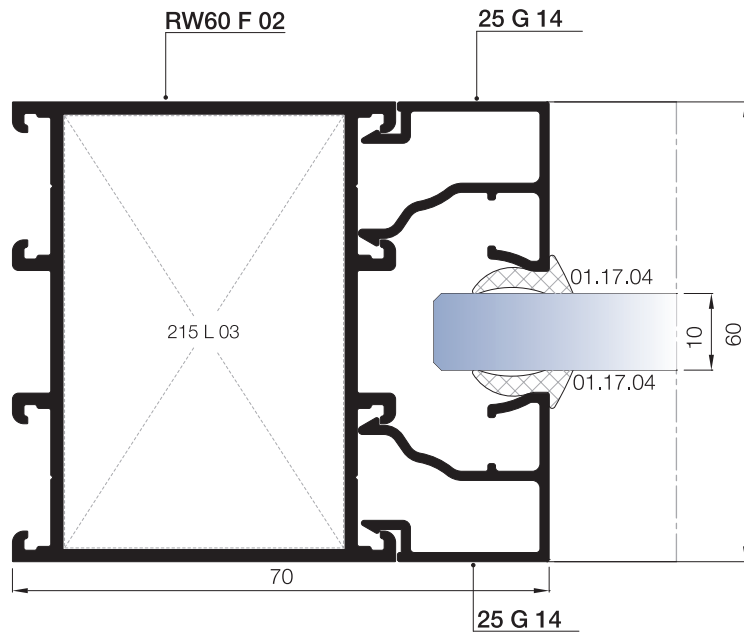
07

08

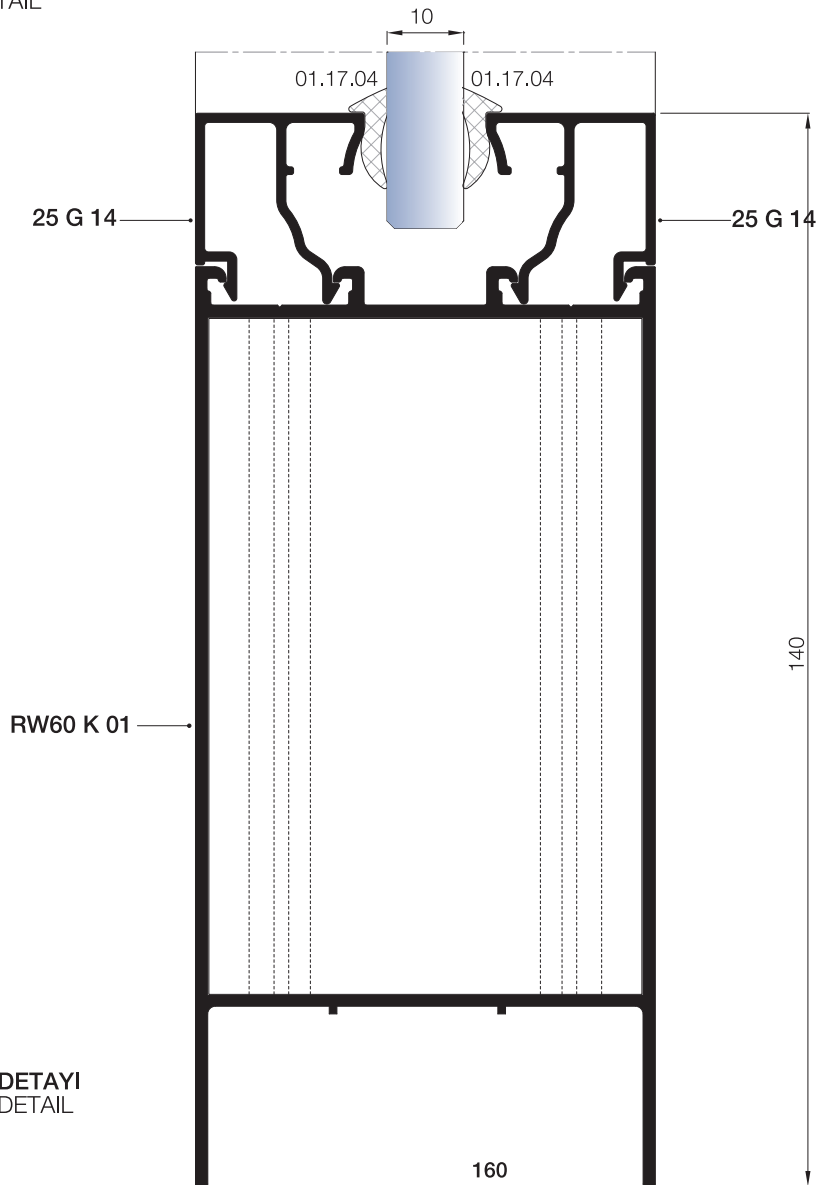
09

10

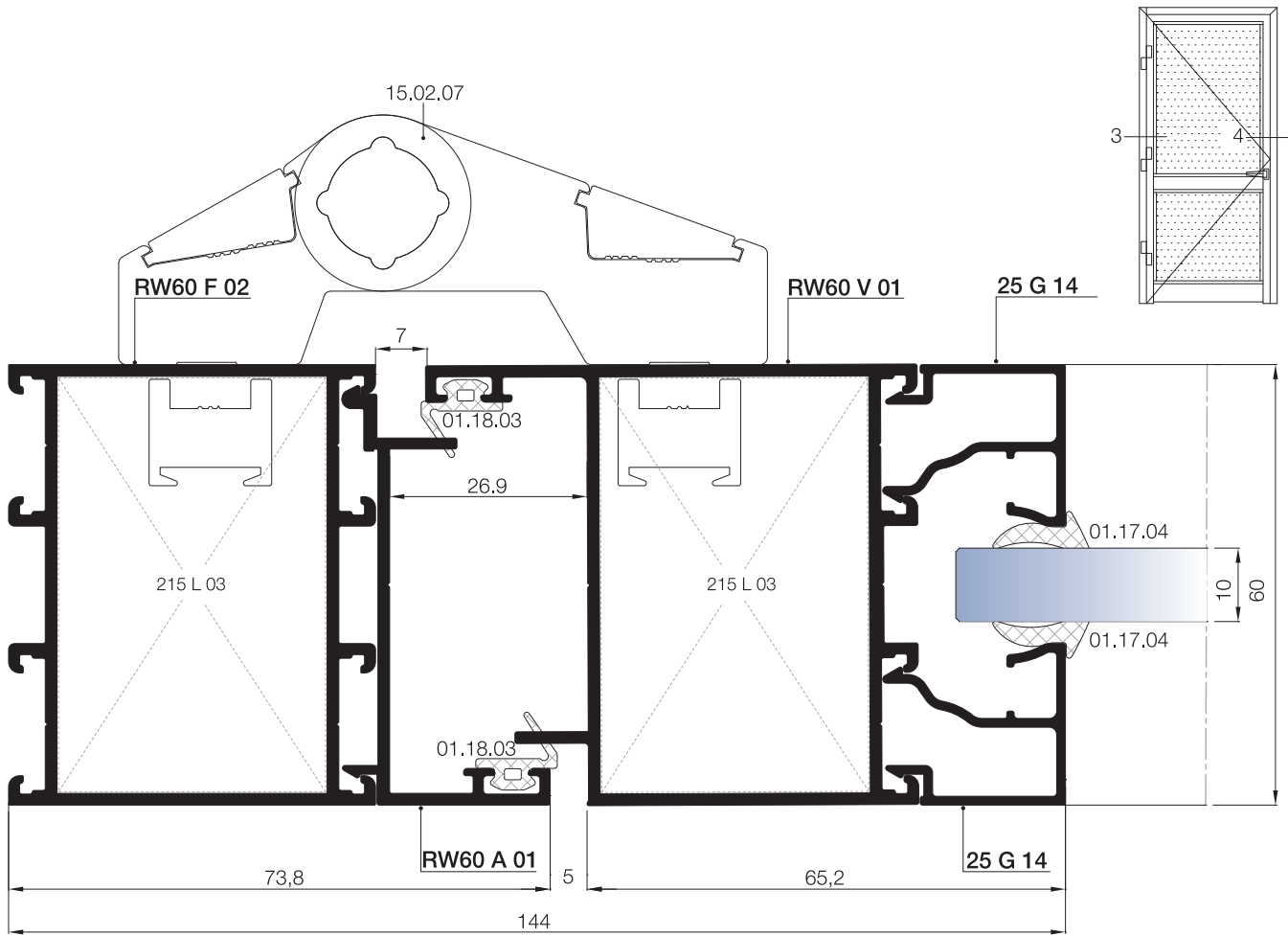
- 01
- 02
- 03
- 04
- 05
- 06
- 07
- 08
- 09
- 10



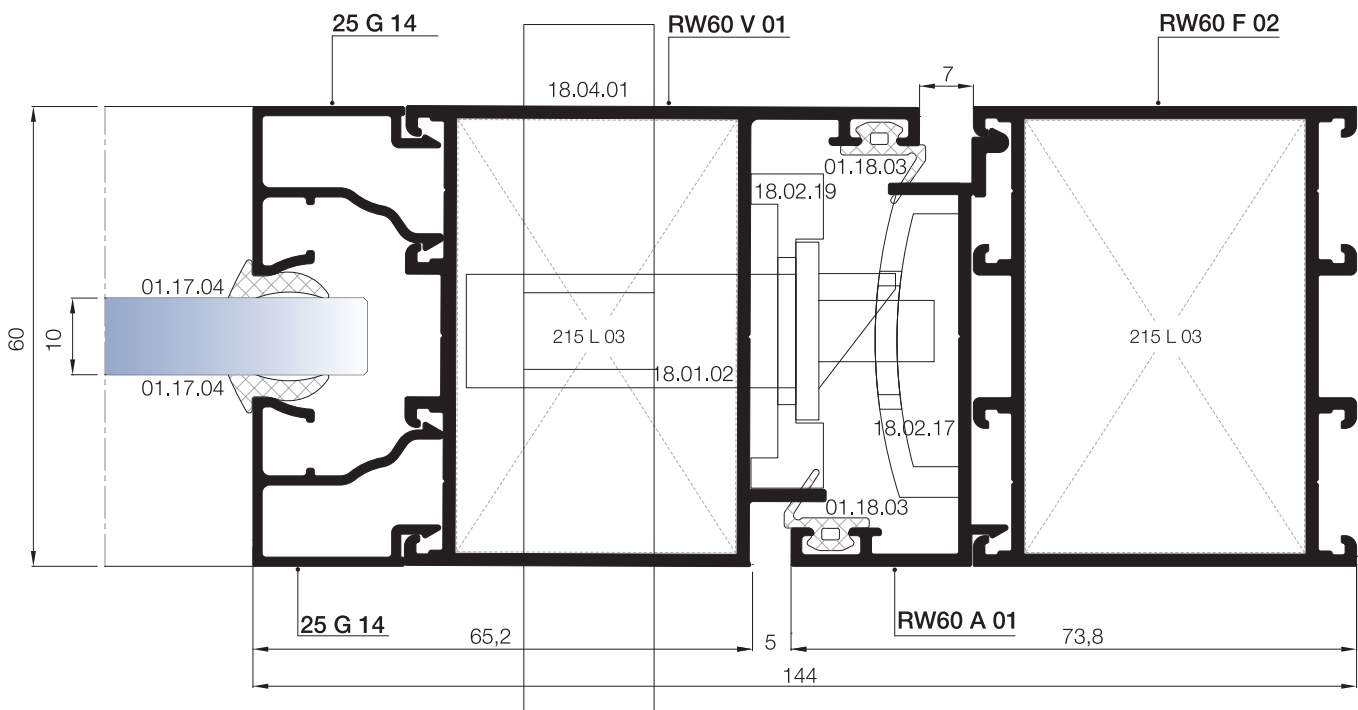
① DETAYI
DETAIL



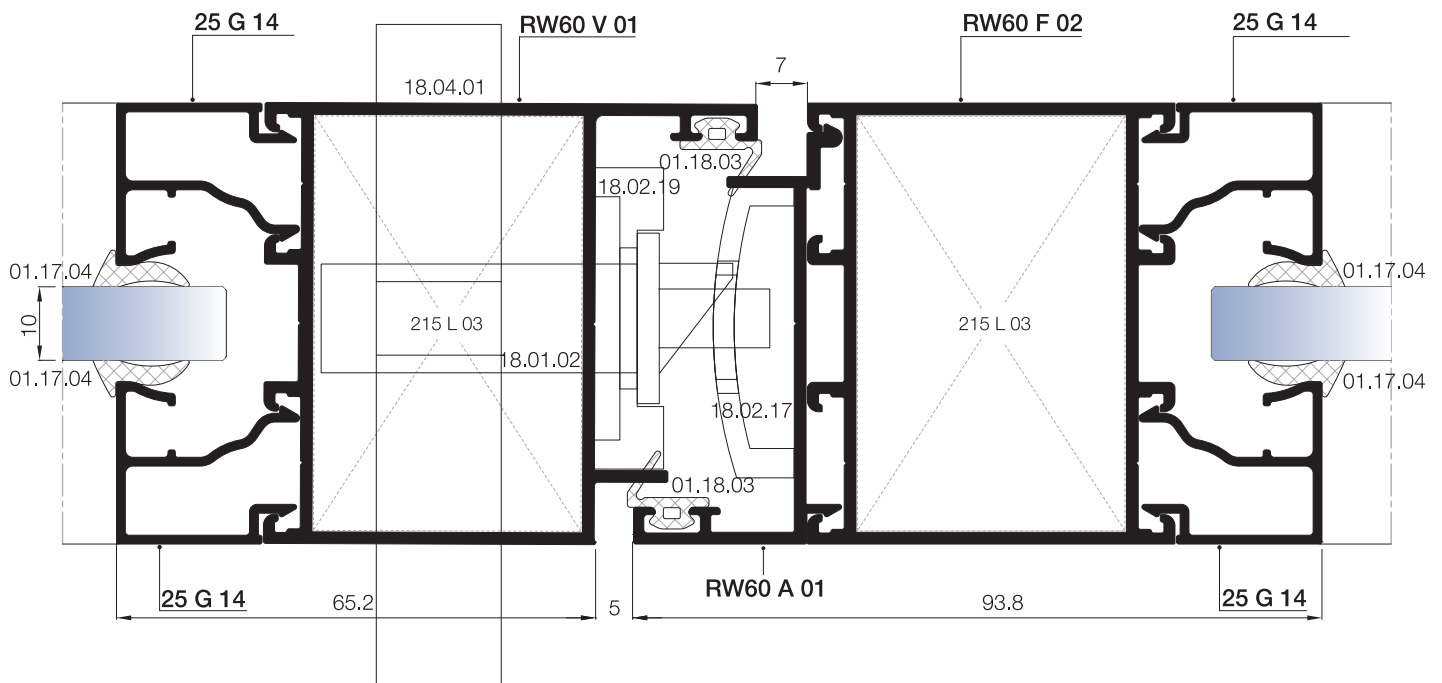
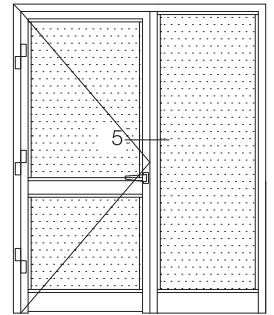
② DETAYI
DETAIL



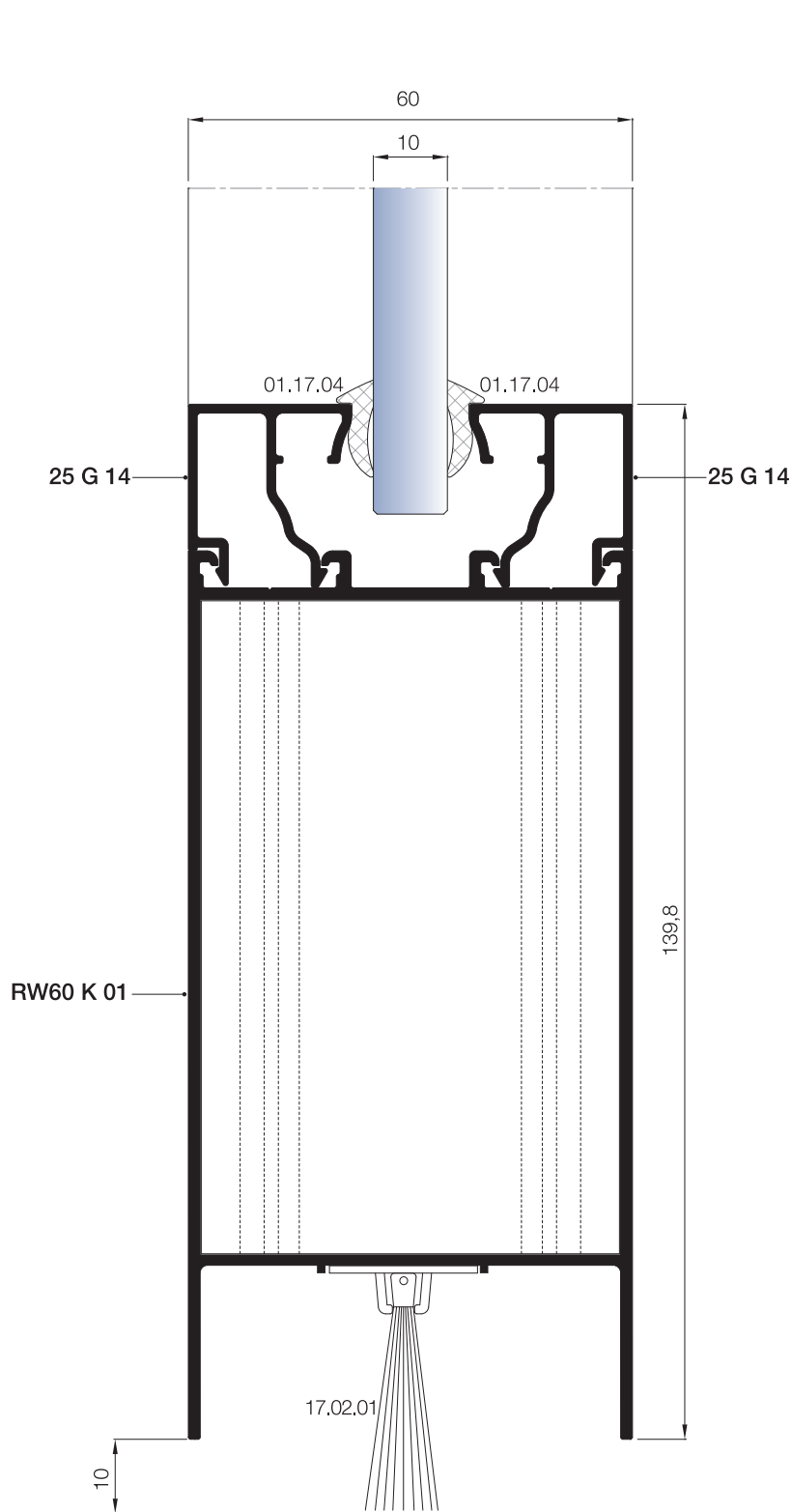
③ DETAYI
DETAIL



④ DETAYI
DETAIL



⑤ DETAYI
DETAIL



01

02

03

04

05

06

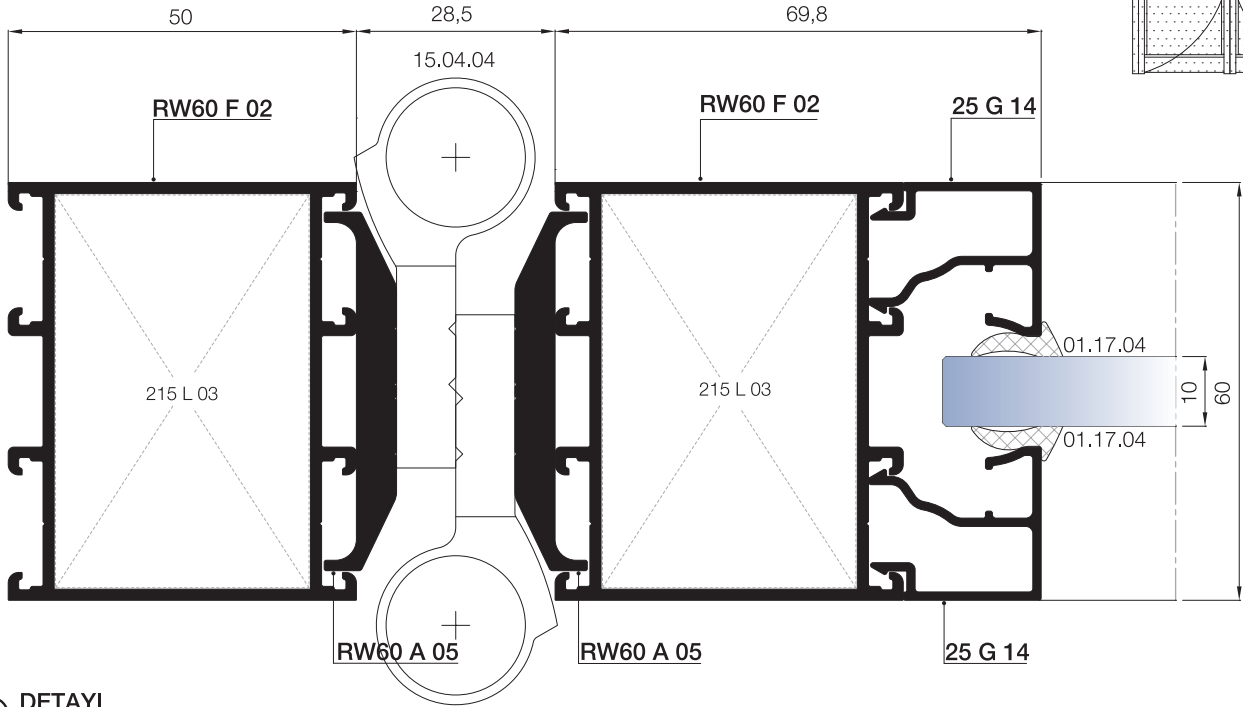
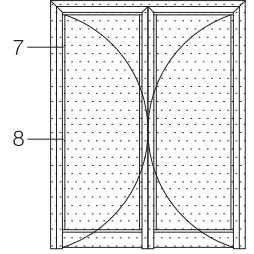
07

08

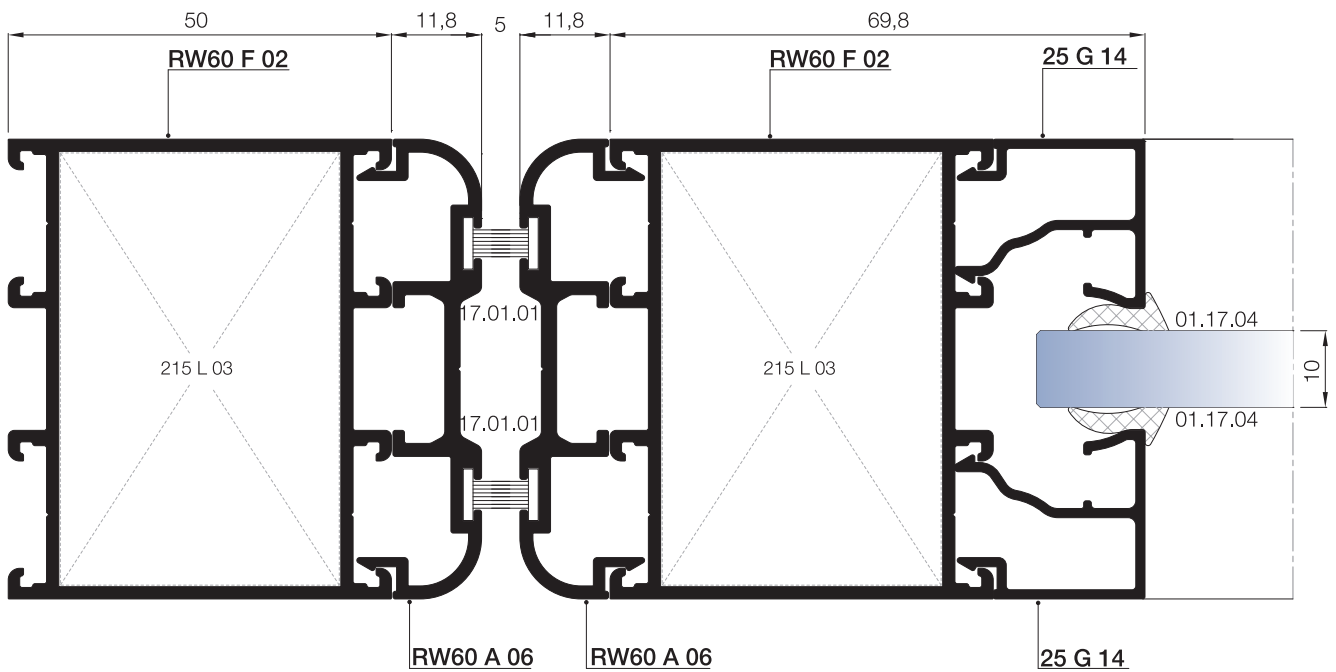
09

10

ÇARPMA KAPI DETAYLARI
SWINGING DOOR DETAILS

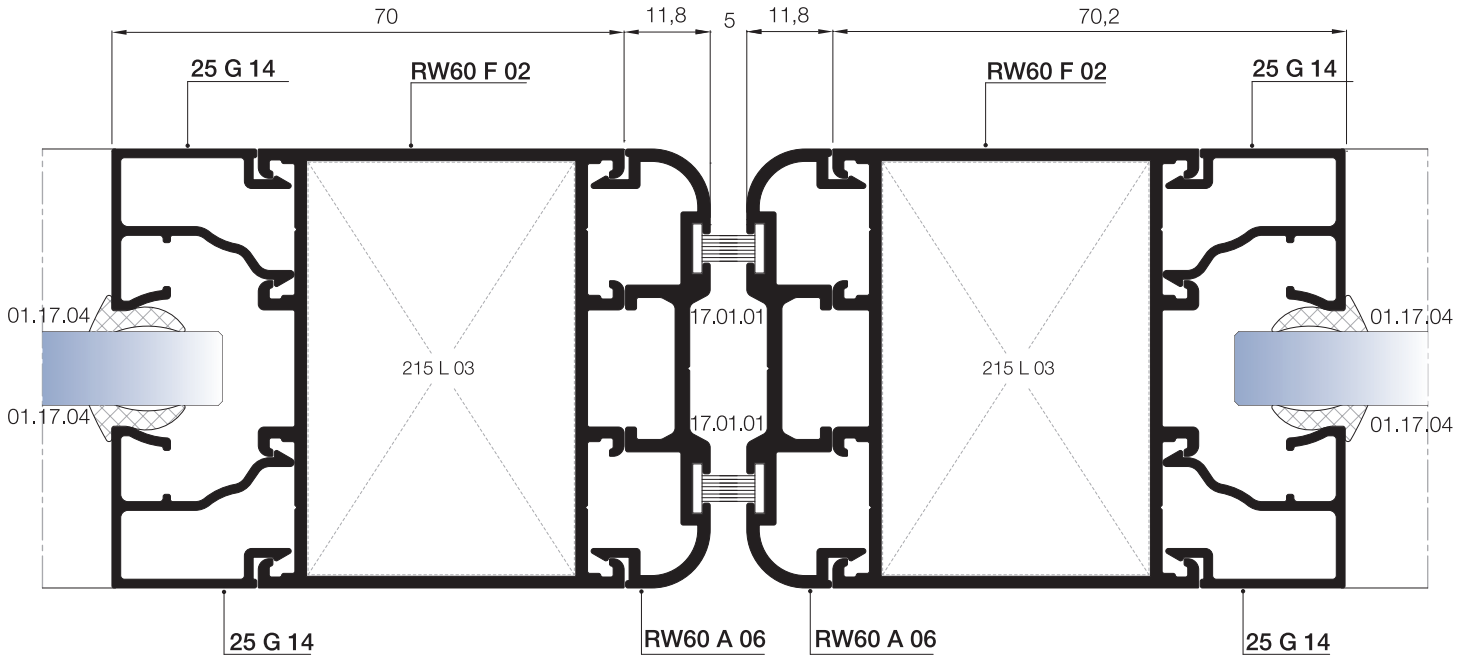
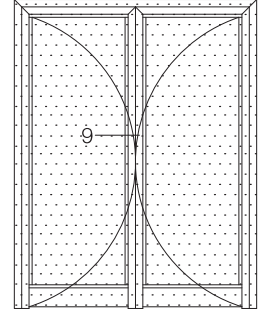


7 DETAYI
DETAIL



8 DETAYI
DETAIL

ÇARPMA KAPI DETAYLARI
SWINGING DOOR DETAILS



⑨ DETAYI
DETAIL

01

02

03

04

05

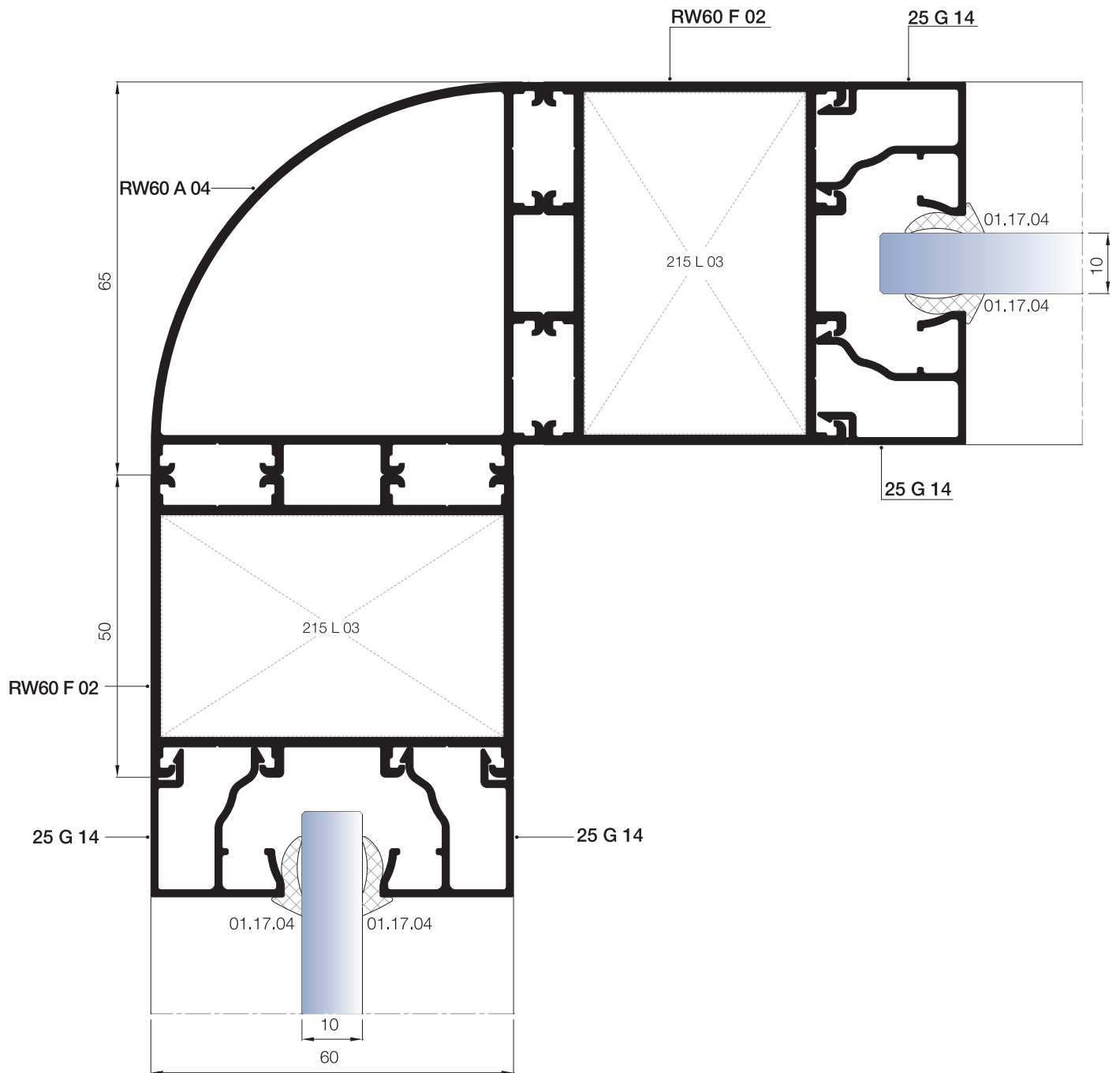
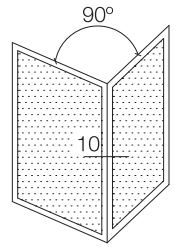
06

07

08

09

10



MİMARİ KATALOG

ARCHITECTURAL CATALOGUE

Alüminyum Kapı Pencere ve Giydirme Cephe Sistemleri
Aluminium Window Doors and Facade Systems



Rescara Sistem Detayları
Rescara System Details

RW60

AKSESUARLAR

ACCESSORIES

01

02

03

04

05


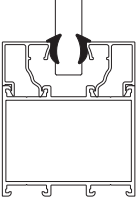

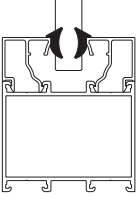

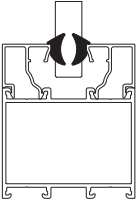

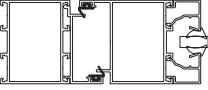
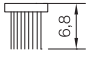
06

07

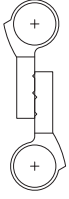
08

09

10

| | | | | | | |
|----|---|---|---|--|--|--|
| 01 |  | 01.17.03 İÇ CAM FİTİLİ 3mm boşluk için INSIDE GLAZING GASKET for 3mm space Malzeme / Material : EPDM Ağırlık / Weight : 60 gr/m Paket / Package : 250 m / 15 kg |  | | | |
| 02 | | | | | | |
| 03 |  | 01.17.04 İÇ CAM FİTİLİ 4mm boşluk için INSIDE GLAZING GASKET for 4mm space Malzeme / Material : EPDM Ağırlık / Weight : 69 gr/m Paket / Package : 215 m / 15 kg |  | | | |
| 04 |  | 01.17.05 İÇ CAM FİTİLİ 5mm boşluk için INSIDE GLAZING GASKET for 5mm space Malzeme / Material : EPDM Ağırlık / Weight : 90 gr/m Paket / Package : 165 m / 15 kg |  | | | |
| 05 | | | | | | |
| 06 |  | 01.18.03 DIŞ BİNE FİTİLİ OUTSIDE ACOUSTICAL GASKET Malzeme / Material : EPDM Ağırlık / Weight : 40 gr/m Paket / Package : 375 m / 15 kg |  | | | |
| 07 | | | | | | |
| 08 |  | 17.01.01 KİL FİTİLİ BRUSH Malzeme / Material : Polipropilen / Polypropylen Paket / Package : 275 m | | | | |
| 09 | | | | | | |
| 10 | | | | | | |

KAPI MENTEŞELERİ / DOOR HINGES



15.04.04

ÇARPMA KAPI MENTEŞESİ
SWING DOOR HINGE

Renk / Color : Çelik / Stainless Steel

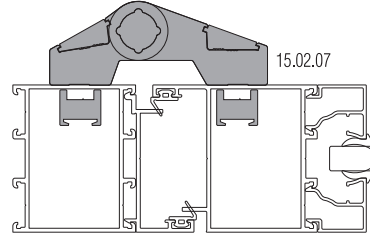
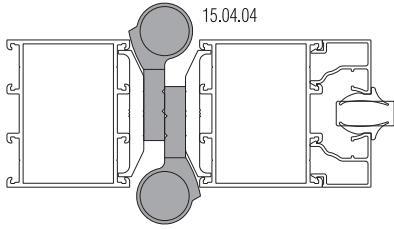


15.02.07

YERLİ KAPI MENTEŞESİ
LOCAL HINGE FOR DOORS

Renk / Color : Siyah-Beyaz-Gri-Eloksal
Black-White-Grey-Anodised

100 kg için 2 adet kullanılmalıdır. / Should be used 2 for 100 kg.
Max. kanat ölçüsü 900x2200 / Max. vent dimension 900x2200
TS EN 1935



Ölçek/Scale: 1/3

01

02

03

04

05

06

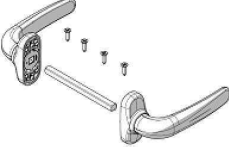
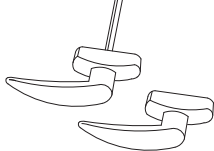

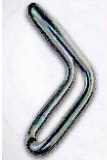





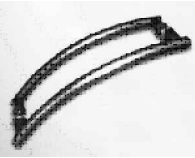

07

08



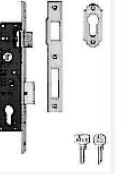


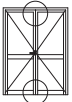
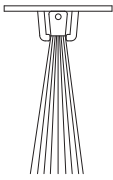
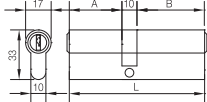
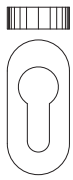
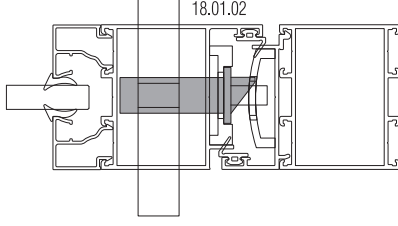
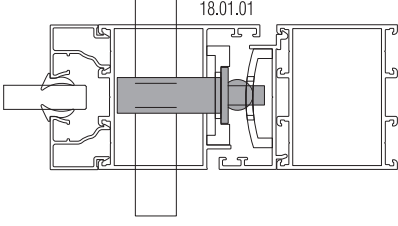
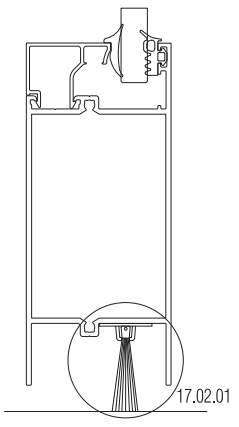
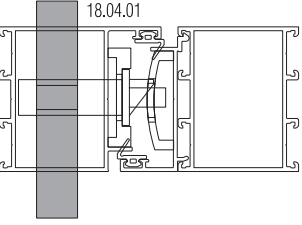
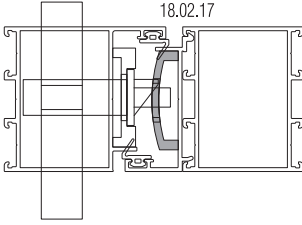
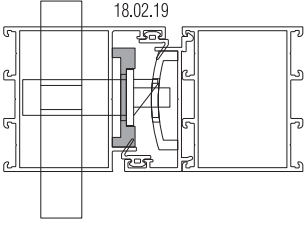
09

10

KAPI KOLLARI / DOOR HANDLES

| | | |
|----|---|--|
| 01 |  <p>07.14.06 GIESSE KAPI KOLU GIESSE DOOR HANDLE Renk / Color : Siyah-Beyaz-Gri Black-White-Grey</p> |  <p>07.14.04 KAPI KOLU DOOR HANDLE Renk / Color : Siyah-Beyaz-Gri Black-White-Grey</p> |
| 02 | | |
| 03 |  <p>07.17.02 D KAPI KOLU DOOR HANDLE Renk / Color : Siyah-Beyaz-Gri-Eloksal Black-White-Grey-Anodised</p> |  <p>07.17.06 V KAPI KOLU DOOR HANDLE Renk / Color : Siyah-Beyaz-Gri-Eloksal Black-White-Grey-Anodised</p> |
| 04 | <p>Ölçüler / Dimensions: H: 40 cm / O: 2,5 cm</p> | <p>Ölçüler / Dimensions: H: 20 cm / O: 2,5 cm</p> |
| 05 |  <p>07.17.08 U KAPI KOLU DOOR HANDLE Renk / Color : Siyah-Beyaz-Gri-Eloksal Black-White-Grey-Anodised</p> |  <p>07.17.10 D KAPI KOLU DOOR HANDLE Renk / Color : Siyah-Beyaz-Gri-Eloksal Black-White-Grey-Anodised</p> |
| 06 | <p>Ölçüler / Dimensions: H: 40 cm / O: 2,5 cm</p> | <p>Ölçüler / Dimensions: H: 20 cm / O: 2,5 cm</p> |
| 07 |  <p>07.17.11 D KAPI KOLU DOOR HANDLE Renk / Color : Siyah-Beyaz-Gri-Eloksal Black-White-Grey-Anodised</p> |  <p>07.17.19 AKBANK KAPI KOLU DOOR HANDLE Renk / Color : Siyah-Beyaz-Gri-Eloksal Black-White-Grey-Anodised</p> |
| 08 | <p>Ölçüler / Dimensions: H: 30 cm / O: 2,5 cm</p> | <p>Ölçüler / Dimensions: H: 200 cm</p> |
| 09 |  <p>07.17.20 YARIM AY BORU KOLU DOOR HANDLE Renk / Color : Siyah-Beyaz-Gri-Eloksal Black-White-Grey-Anodised</p> |  <p>07.17.21 U ÇEKME KOL DOOR HANDLE Renk / Color : Siyah-Beyaz-Gri-Eloksal Black-White-Grey-Anodised</p> |
| 10 | <p>Ölçüler / Dimensions: H: 30 cm / O: 2,5 cm</p> | <p>Ölçüler / Dimensions: H: 20 cm</p> |
| |  <p>07.17.22 YAY KOL DOOR HANDLE Renk / Color : Siyah-Beyaz-Gri-Eloksal Black-White-Grey-Anodised</p> |  <p>07.17.23 BASTON KOL DOOR HANDLE Renk / Color : Siyah-Beyaz-Gri-Eloksal Black-White-Grey-Anodised</p> |
| | <p>Ölçüler / Dimensions: H: 50 cm</p> | <p>Ölçüler / Dimensions: H: 90 cm / O: 2,5 cm</p> |

KAPI KİLİTLERİ / DOOR LOCKS

|  | <p>18.01.01 MAKARALI KİLİT MORTISE LOCK (WITH ROLLER)</p> |  | <p>18.02.19 DİLLİ KİLİT YATAĞI MORTISE LOCK PLATE Renk / Color : Siyah-Beyaz Black-White</p> | | | | | | |
|---|--|---|---|----|----|----|--|---|--|
|  | <p>18.01.02 DİLLİ KİLİT MORTISE LOCK</p> |  | <p>18.02.17 DİLLİ KİLİT KARŞILIĞI STRIKER FOR MORTISE LOCK Renk / Color : Siyah-Beyaz-Elksal Black-White-Anodised</p> | | | | | | |
|   | <p>18.03.01 KAPI ALT ÜST KİLİTLEME BOLT FOR DOORS</p> |  | <p>17.02.01 KAPI ALTI FIRÇASI BRUSH FOR DOORS Malzeme / Material : Polipropilen Polypropylene</p> | | | | | | |
|  <table border="1" data-bbox="223 1310 351 1355"><thead><tr><th>A</th><th>B</th><th>L</th></tr></thead><tbody><tr><td>35</td><td>45</td><td>90</td></tr></tbody></table> | A | B | L | 35 | 45 | 90 | <p>18.04.01 BAREL CYLINDER Malzeme / Material : Krom-Nikel Chrome-Nickel</p> |  | <p>18.05.02 BAREL AYNASI CYLINDER COVER Renk / Color : Siyah-Beyaz Black-White</p> |
| A | B | L | | | | | | | |
| 35 | 45 | 90 | | | | | | | |
|  <p>18.01.02</p> |  <p>18.01.01</p> |  <p>17.02.01</p> | | | | | | | |
|  <p>18.04.01</p> |  <p>18.02.17</p> |  <p>18.02.19</p> | | | | | | | |

Ölçek/Scale: 1/3

